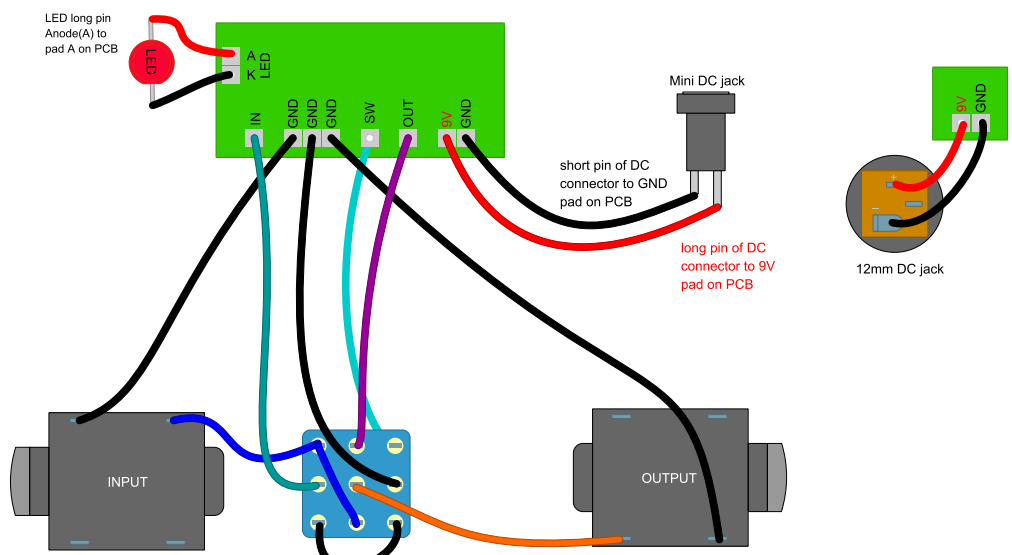


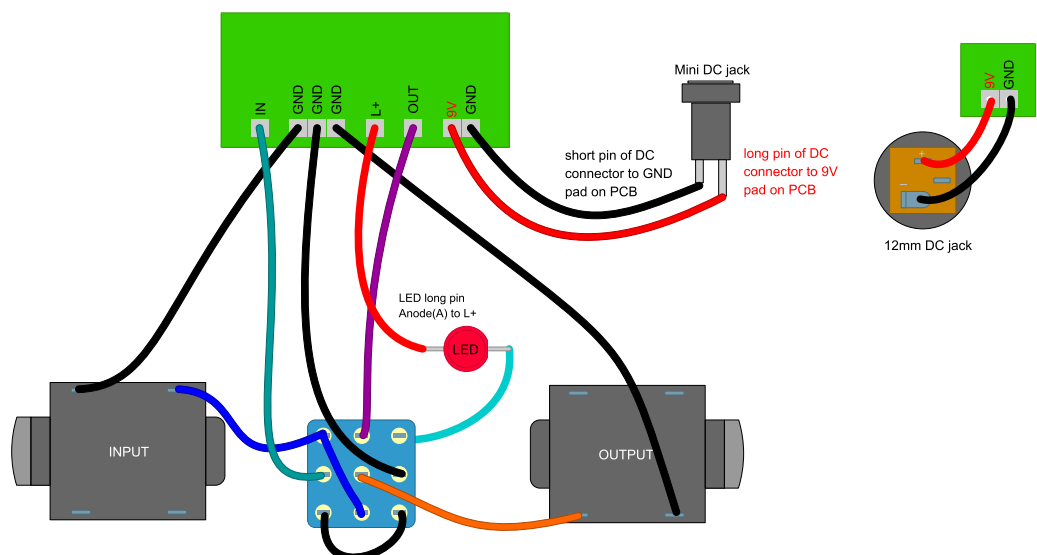
Guitar Effect Pedal wirings

op-electronics.com

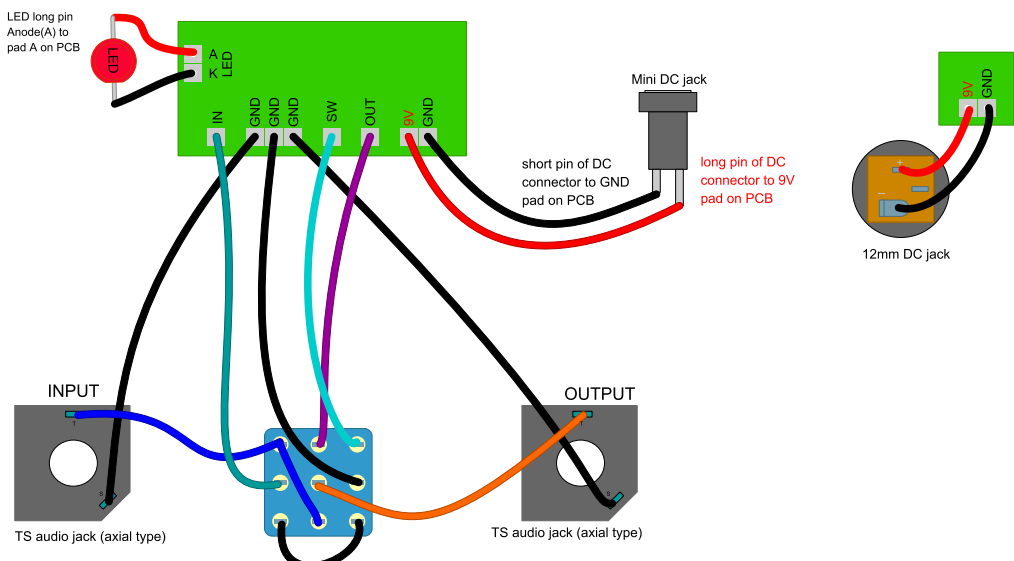
1. Radial jacks - WIRING with on board LED - SW pad



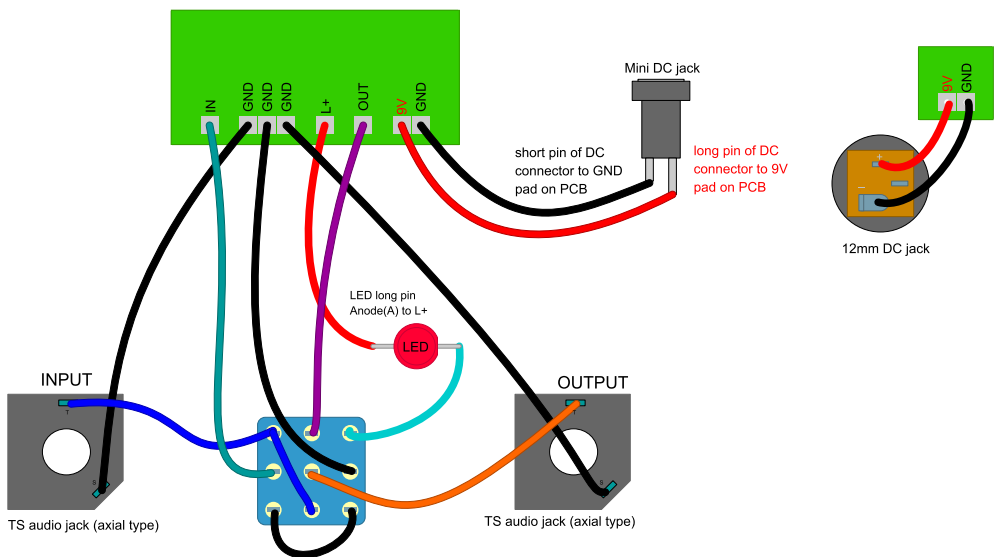
2. Radial jacks - WIRING with off board LED - L+ pad



3. Axial jacks - WIRING with on board LED pads, SW pad



3. Axial jacks - WIRING with off board LED - L+ pad



Battery Wiring

Battery wiring uses a TRS jack (usually input), 3-pin 12 mm DC jack and the battery clip connection. All the other connections remain the same.

